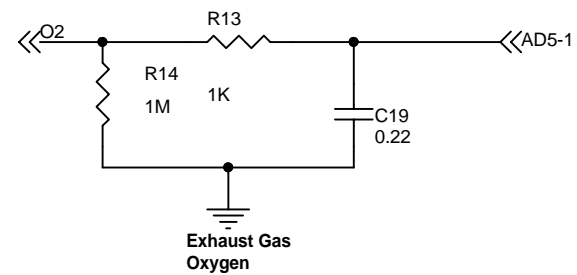
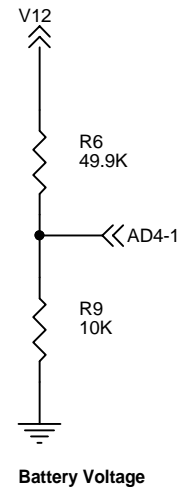
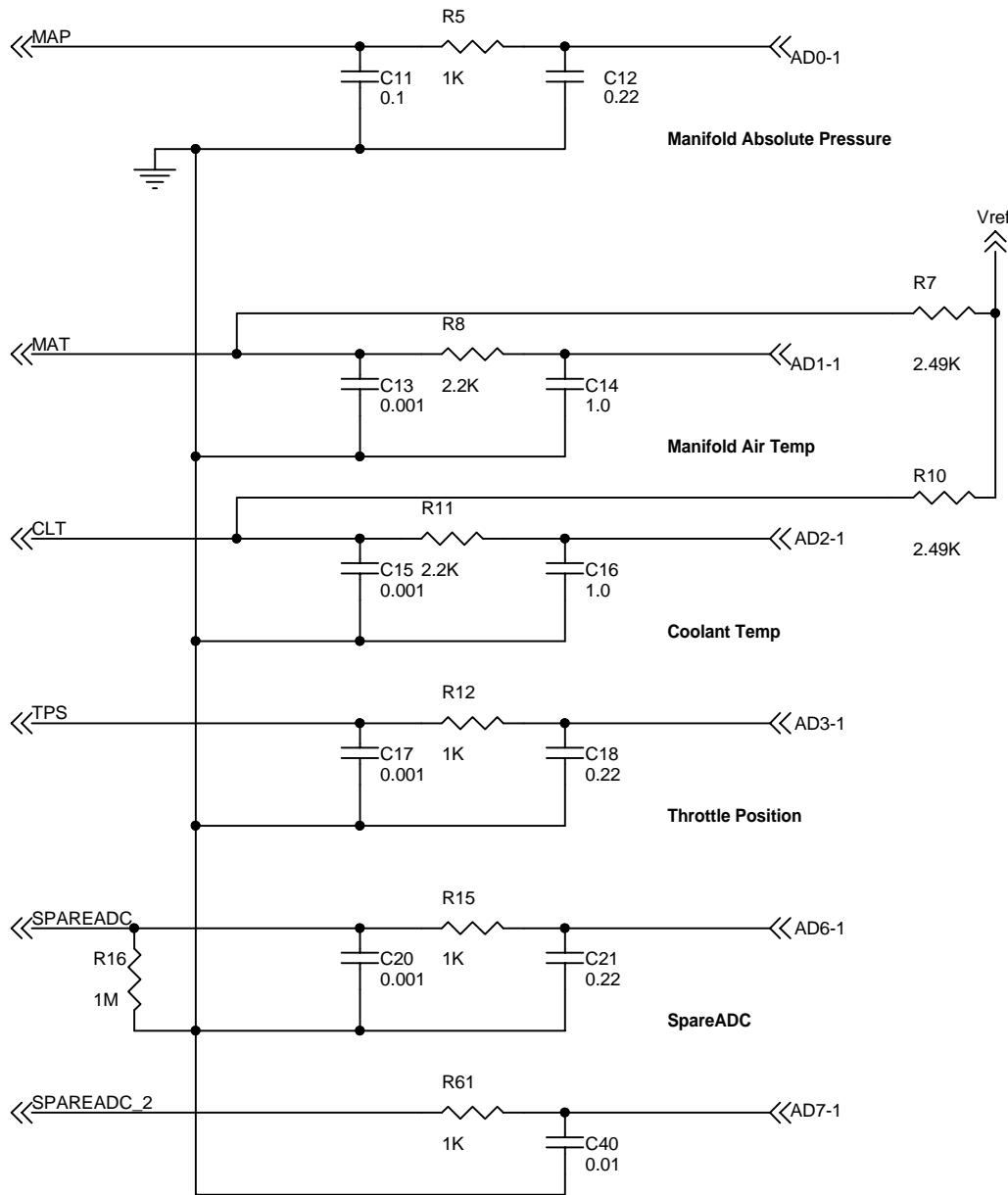
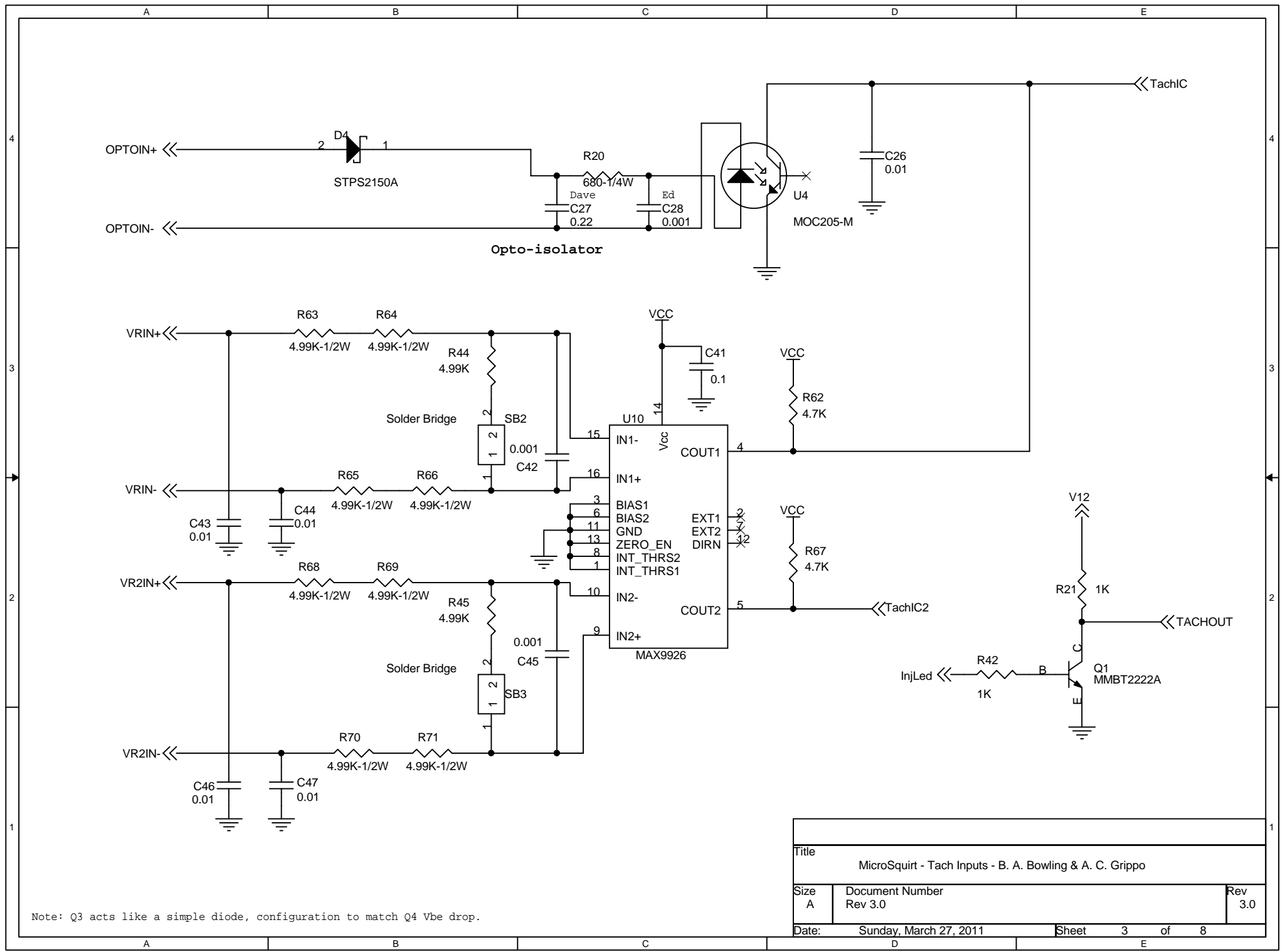


Title		
MicroSquirt - CPU - B. A. Bowling & A. C. Grippo		
Size	Document Number	Rev
A	Rev 3.0	3.0
Date:	Sunday, March 27, 2011	Sheet 1 of 8

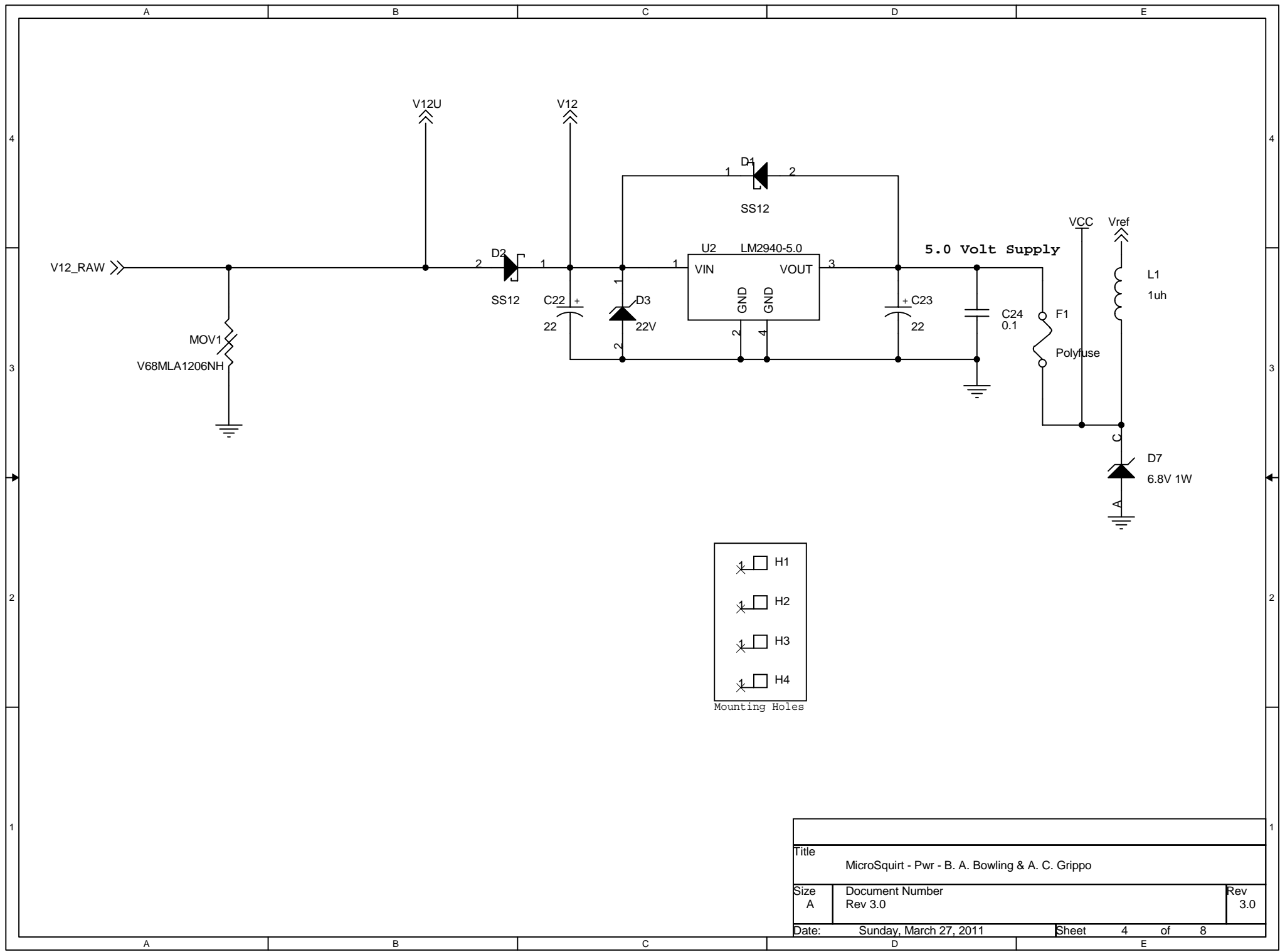


Title		
MicroSquirt - Inputs - B. A. Bowling & A. C. Grippo		
Size	Document Number	Rev
A	Rev 3.0	3.0
Date:	Sunday, March 27, 2011	Sheet 2 of 8

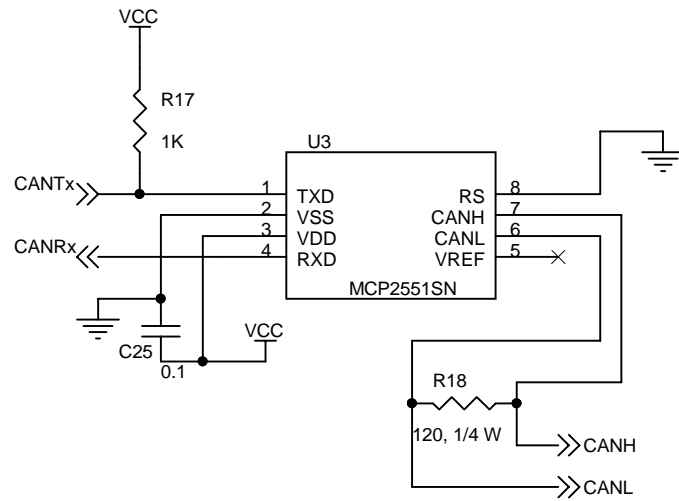
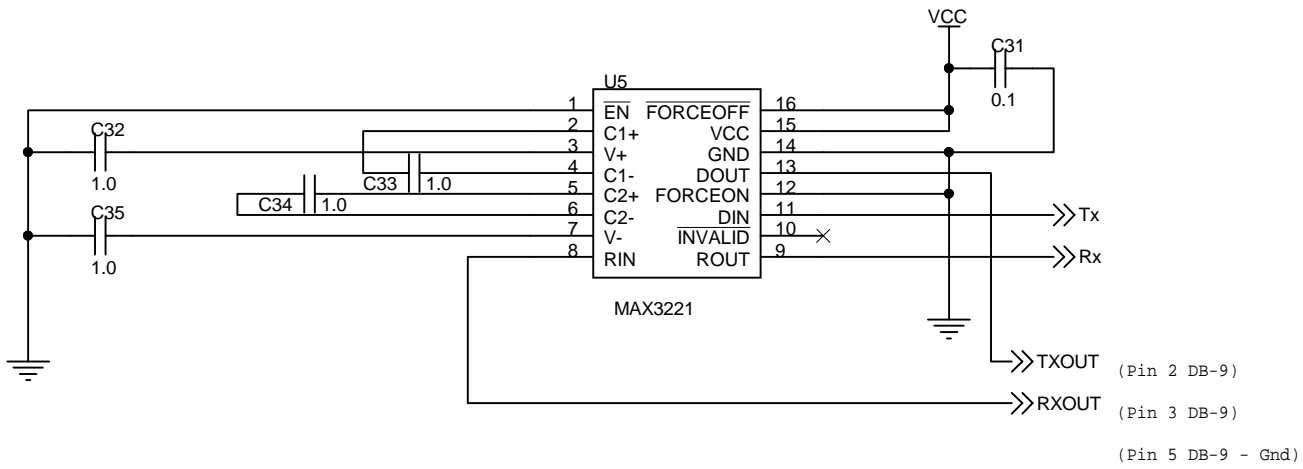


Note: Q3 acts like a simple diode, configuration to match Q4 Vbe drop.

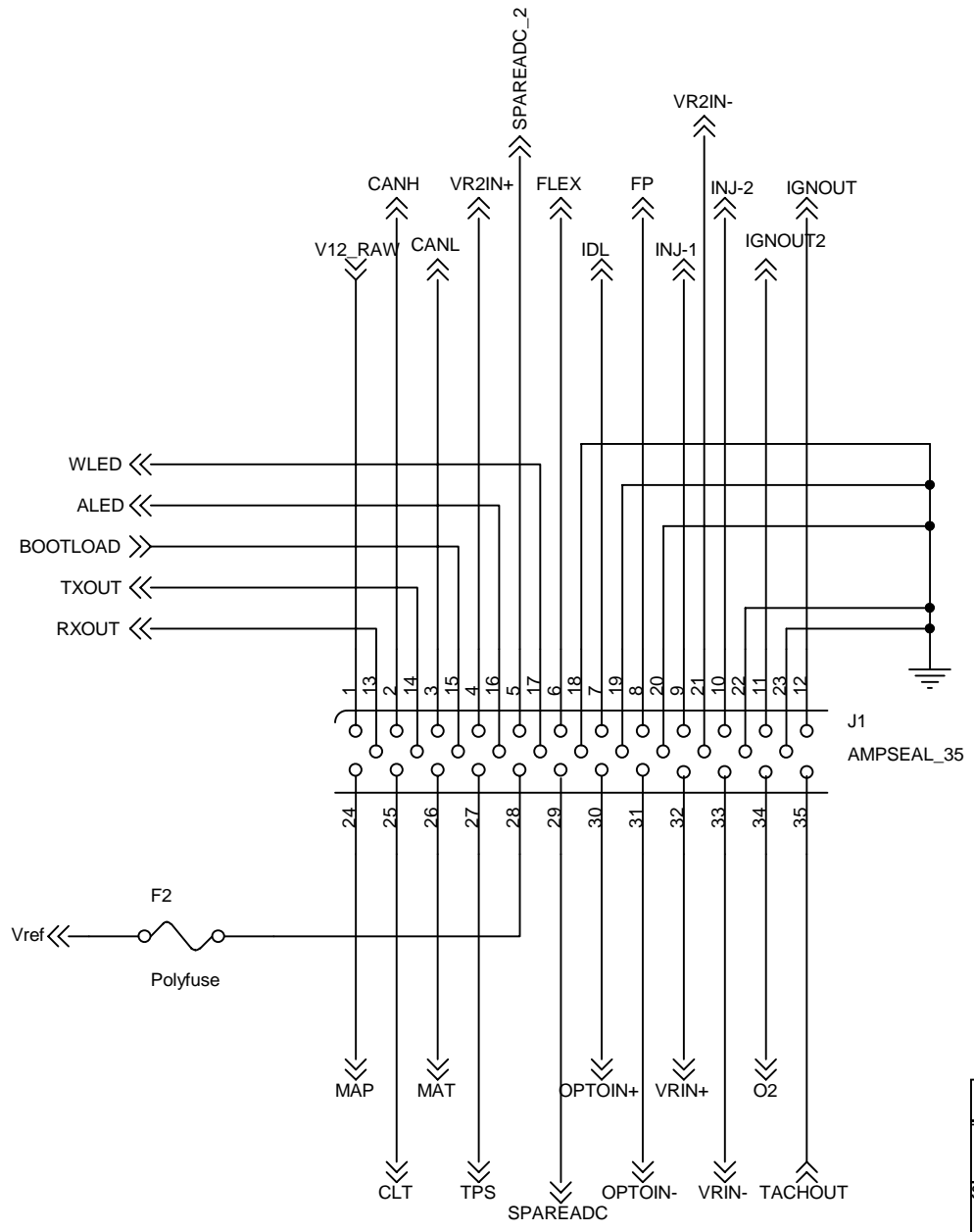
Title		
MicroSquirt - Tach Inputs - B. A. Bowling & A. C. Grippo		
Size	Document Number	Rev
A	Rev 3.0	3.0
Date:	Sunday, March 27, 2011	Sheet 3 of 8



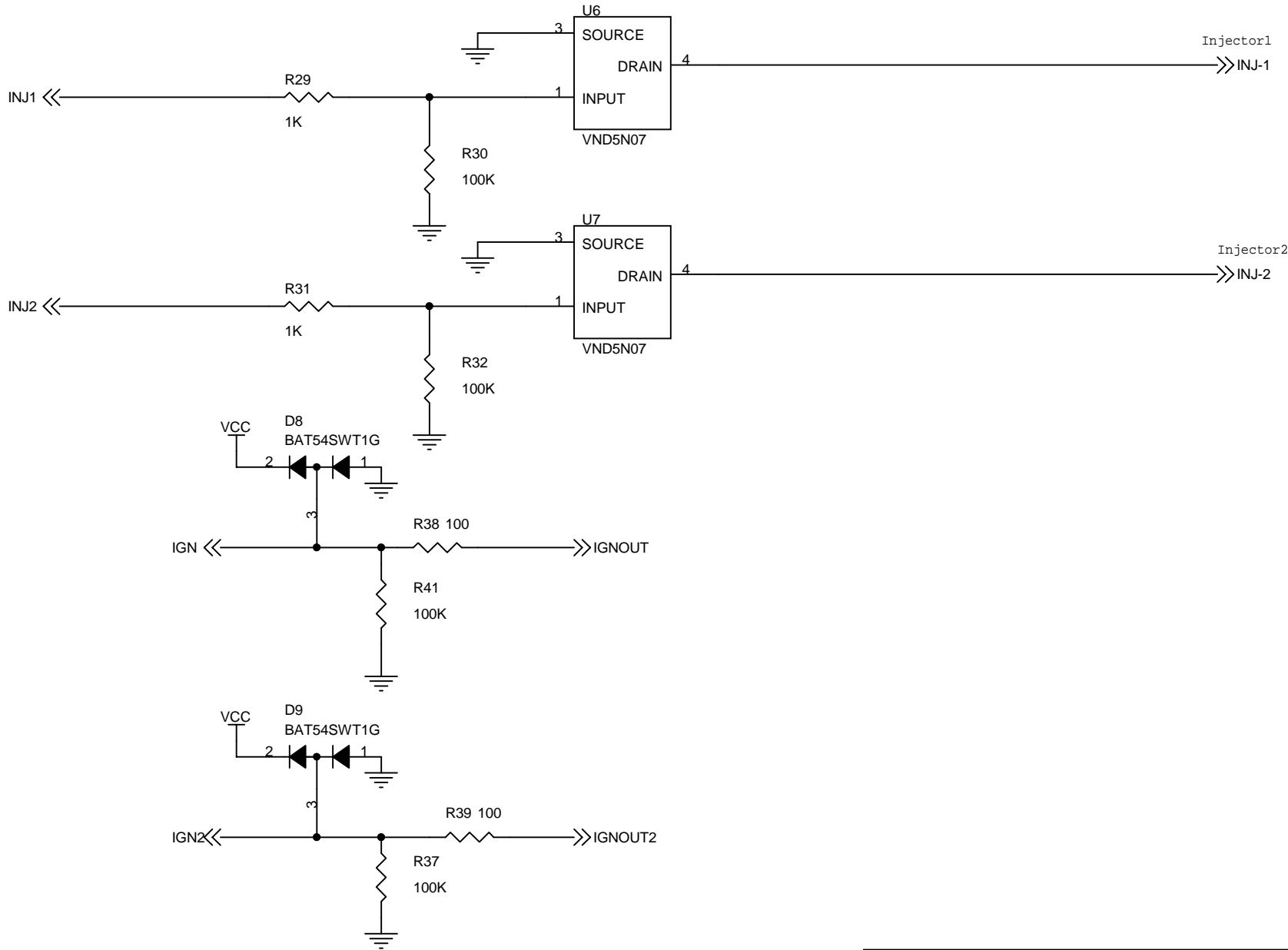
Title		
MicroSquirt - Pwr - B. A. Bowling & A. C. Grippo		
Size	Document Number	Rev
A	Rev 3.0	3.0
Date: Sunday, March 27, 2011		Sheet 4 of 8



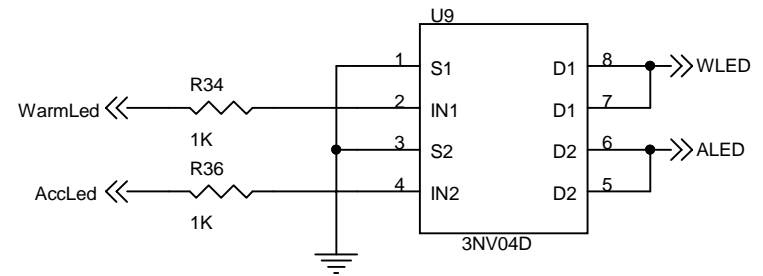
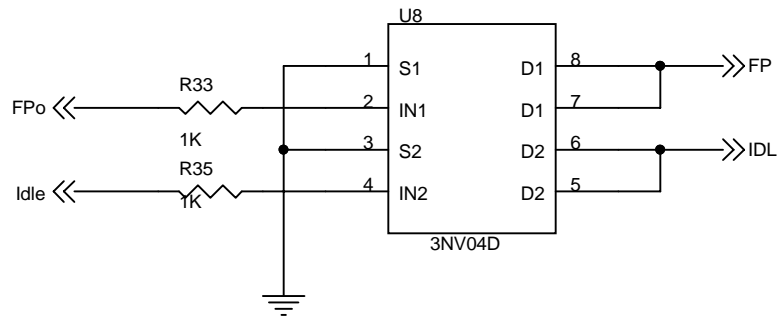
Title		
MicroSquirt - CAN - B. A. Bowling & A. C. Grippo		
Size	Document Number	Rev
A	Rev 3.0	3.0
Date:	Sunday, March 27, 2011	Sheet 5 of 8



Title		
MicroSquirt - Connector - B. A. Bowling & A. C. Grippo		
Size	Document Number	Rev
A	Rev 3.0	3.0
Date:	Sunday, March 27, 2011	Sheet 6 of 8



Title		
MicroSquirt - InjIgn - B. A. Bowling & A. C. Grippo		
Size	Document Number	Rev
A	Rev 3.0	3.0
Date:	Sunday, March 27, 2011	Sheet 7 of 8



Title		
MicroSquirt - Outputs - B. A. Bowling & A. C. Grippo		
Size	Document Number	Rev
A	Rev 3.0	3.0
Date: Sunday, March 27, 2011		Sheet 8 of 8